



EclProfile FW

High quality Full White LED
ellipsoidal available in Tungsten
and Daylight versions



USER MANUAL

Thank you for choosing PROLIGHTS

Please note that every PROLIGHTS product has been designed in Italy to meet quality and performance requirements for professionals and designed and manufactured for the use and application as shown in this document.

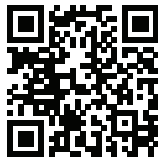
Any other use, if not expressly indicated, could compromise the good condition/operation of the product and/or be a source of danger.

This product is meant for professional use. Therefore, commercial use of this equipment is subject to the respectively applicable national accident prevention rules and regulations.

Features, specifications and appearance are subject to change without notice. Music & Lights S.r.l. and all affiliated companies disclaim liability for any injury, damage, direct or indirect loss, consequential or economic loss or any other loss occasioned by the use of, inability to use or reliance on the information contained in this document.

Product user manual can be downloaded from the website www.prolights.it, or can be inquired to the official PROLIGHTS distributors of your territory (https://www.prolights.it/sales_network.html).

Scanning the below **QR Code**, you will access the download area of the product page, where you can find a broad set of always updated technical documentation: specifications, user manual, technical drawings, photometrics, personalities, fixture firmware updates.



Visit the download area
of the product page



The PROLIGHTS Logo, PROLIGHTS names and all other trademark in this document pertaining to PROLIGHTS services or PROLIGHTS product are trademarks OWNED or licensed by Music & Lights S.r.l., its affiliates, and subsidiaries. PROLIGHTS is a registered trademark by Music & Lights S.r.l. All right reserved. Music & Lights – Via A. Olivetti, snc - 04026 - Minturno (LT) ITALY.

INDEX

SAFETY INFORMATION	02
1 - PACKAGING	05
PACKAGE CONTENT	05
OPTIONAL ACCESSORIES	05
2 - TECHNICAL DRAWING	06
3 - INSTALLATION	08
MOUNTING	08
4 - CONNECTION TO THE MAINS SUPPLY	09
5 - START UP	09
CONNECT AND DISCONNECT POWER FROM THE PRODUCT	09
6 - PRODUCT OVERVIEW	10
7 - DMX CONNECTION	11
CONNECTION OF THE CONTROL SIGNAL: DMX LINE	11
INSTRUCTIONS FOR A RELIABLE DMX CONNECTION	11
CONNECTION DAISY CHAIN	11
CONNECTION OF THE DMX LINE	11
CONSTRUCTION OF THE DMX TERMINATION	12
DMX ADDRESSING	12
8 - CONTROL PANEL	13
DISPLAY AND BUTTONS LAYOUT	13
9 - MENU STRUCTURE	14
10 - RDM FUNCTIONS	16
11 - SHORTCUTS	17
12 - ERROR MESSAGES	17
13 - DMX CHARTS	18
14 - ACCESSORIES INSTALLATION	19
OPTIC (CODE ECLPRL - OPTIONAL)	19
GEL FILTER FRAME (CODE ECLPRTPG - OPTIONAL)	20
GOBO HOLDER (CODE ECLPRGH - OPTIONAL)	21
STEEL IRIS DIAPHRAM (CODE ECLPRIRIS - OPTIONAL)	23
SOFT EDGE FILTER (CODE ECLPRSEF1 - OPTIONAL)	24
SOFT FOCUS DIFFUSION (CODE ECLPRSMOOTHF1 - OPTIONAL)	25
THE POLE OPERATED YOKE (CODE ECLPRPOYO - OPTIONAL)	26
15 - MAINTENANCE	27
MAINTENANCE AND CLEANING THE PRODUCT	27
REPLACING THE FUSE	27
VISUAL CHECK OF PRODUCT HOUSING	27
TROUBLESHOOTING	28

SAFETY INFORMATION



WARNING!

- Please read carefully the instruction reported in this section before installing, powering, operating or servicing the product and observe the indications also for its future handling.



This unit is not for household use, only professional applications.



Connection to mains supply

- The Connection to the mains supply must be carried out by a qualified electrical installer.
- Use only AC supplies 100-240V 50-60 Hz, the fixture must be electrically connected to ground (earth).
- Select the cable cross section in according with the maximum current draw of the product and the possible number of products connected at the same power line.
- The AC mains power distribution circuit must be equipped with magnetic+residual current circuit breaker protection.
- Do not connect it to a dimmer system; doing so may damage the product.



Protection and Warning against electrical shock

- Do not remove any cover from the product, always disconnect the product from AC power before servicing.
- Ensure that the fixture is electrically connected to ground (earth). And use only a source of AC power that complies with local building and electrical codes and has both overload and ground-fault (earth-fault) protection.
- Before using the fixture, check that all power distribution equipment and cables are in perfect condition and rated for the current requirements of all connected devices.
- Isolate the fixture from power immediately if the power plug or any seal, cover, cable, or other components are damaged, defective, deformed or showing signs of overheating.
- Do not reapply power until repairs have been completed.
- Refer any service operation not described in this manual to PROLIGHTS Service team or an authorized PROLIGHTS service center.



Installation

- Make sure that all visible parts of the product are in good visible condition before its use or installation.
- Make sure the point of anchorage is stable before positioning the projector.
- When suspending the fixture above ground level, secure it against failure of primary attachments by attaching a safety cable that is approved as a safety attachment for the weight of the fixture to the attachment point on the main frame of the product. In case the safety cable, enter in action, it needs to be replaced with a new one.
- Install the product only in well ventilated places.
- For non temporary installations, ensure that the fixture is securely fastened to a load-bearing surface with suitable corrosionresistant hardware.
- For a temporary installation with clamps, ensure that the quarter-turn fastener and/or screws are turned fully, and secured with a suitable safety cable.



Minimum distance of illuminated objects

- The projector needs to be positioned so that the objects hit by the beam of light are at least 0.5 meters (1.64 ft) from the lens of the projector.

$T_a 45^\circ\text{C}$

Max operating ambient temperature (T_a)

- Do not operate the fixture if the ambient temperature (T_a) exceeds 45°C (113°F).

$T_a -10^\circ\text{C}$

Minimum operating ambient temperature (T_a)

- Do not operate the fixture if the ambient temperature (T_a) is below -10°C (14°F).



Protection from burns and fire

- The exterior of the fixture becomes hot during use. Avoid contact by persons and materials.
- Ensure that there is free and unobstructed airflow around the fixture.
- Keep flammable materials well away from the fixture
- Do not expose the front glass to sunlight or any other strong light source from any angle. Lenses can focus the sun's rays inside the fixture, creating a potential fire hazard.
- Do not attempt to bypass thermostatic switches or fuses.



Indoor use

- This product is designed for indoor and dry environments.
- Do not use in wet location and do not expose the fixture to rain or moisture.
- Never use the fixture in places subject to vibrations or bumps.
- Make certain that no inflammable liquids, water or metal objects enter the fixture.
- Excessive dust, smoke fluid, and particle build up degrades performance, causes overheating and will damage the fixture.
- Damages caused by inadequate cleaning or maintenance are not covered by the product warranty.

$T_c 70^\circ\text{C}$

Temperature of the external surface

- The surface of the fixture can reach up to 70°C (158°F) during operation. Avoid contact with people and materials.



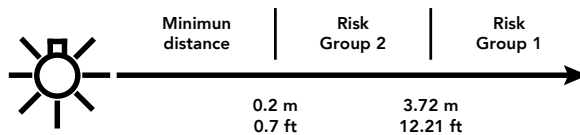
Maintenance

- Warning! Disconnect the fixture from AC mains power and allow to cool for at least 10 minutes before handling.
- Only technicians who are authorized by PROLIGHTS or Authorised service partners are permitted to open the fixture.
- Users may carry out external cleaning, following the warnings and instructions provided, but any service operation not described in this manual must be referred to a qualified service technician.
- Important! Excessive dust, smoke fluid, and particle build up degrades performance, causes overheating and will damage the fixture. Damages caused by inadequate cleaning or maintenance is not covered by the product warranty.



Photobiological safety

- This device emits potentially dangerous optical radiation and is identified in the category of Risk Group 1 for ECLFWTU and Risk Group 2 for ECLFWDY according to EN 62471.



**Do not stare at the operating light source**

- Do not look directly at the LED source during operation. It can be harmful to the eyes and skin.
- During Installation, operation and maintenance, be prepared for the fixture to light and move suddenly when connected to power.
- The device should be positioned so that prolonged staring into the luminaire at a distance closer than 3.72 m is not expected.

**Disposal**

- This product is supplied in compliance with European Directive 2012/19/EU – Waste Electrical and Electronic Equipment (WEEE). To preserve the environment please dispose/ recycle this product at the end of its life according to the local regulation.

**The products to which this manual refers comply with:**

- 2014/35/EU - Safety of electrical equipment supplied at low voltage (LVD).
- 2014/30/EU - Electromagnetic Compatibility (EMC).
- 2011/65/EU - Restriction of the use of certain hazardous substances (RoHS).

1 - PACKAGING

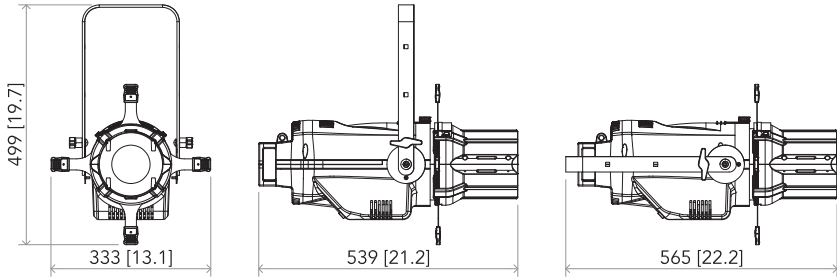
PACKAGE CONTENT

- 1x ECLFWTU or ECLFDY;
- 1x 1,5 meters power cable (SCHUKO plug - NEUTRIK POWERCON TRUE1 IP65);
- User manual.

OPTIONAL ACCESSORIES

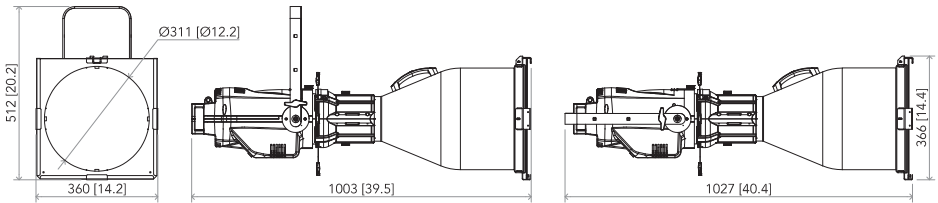
- 9533FXWL03: ass. 3x2.5mm TH07 cable, SHUKO plug, MENAC3FXW socket, L.3m;
- 9513FXWL03: ass. 3x2.5mm TH07 cable, 16A 3p 230V CEE plug, MENAC3FXW socket, L.3 m;
- 958225L03: 3x2.5mm TH07 Cable, 16A 3p PwCon MXW, 16A 3p PwCon FXW, L. 3m;
- TOUR53415L03BK: dmx cable HC5340. CANCE5MX XLR 5p->CANCE5FX XLR (f) 5p, L.3m;
- FCLECLPR: flight case for 8 pcs of ECLFS/ECLFW/ECLCTPLUS profiler;
- ECLPRSMOOTHF1: Smooth/homogenizer filter with aluminium frame and magnets for Ecl Profile fixtures;
- ECLPRL05BK: optic for EclProfile fixtures, 5°, black;
- ECLPRL10BK: optic for EclProfile fixtures, 10°, black;
- ECLPRL14BK: optic for EclProfile fixtures, 14°, black;
- ECLPRL19BK: optic for EclProfile fixtures, 19°, black;
- ECLPRL26BK: optic for EclProfile fixtures, 26°, black;
- ECLPRL36BK: optic for EclProfile fixtures, 36°, black;
- ECLPRL50BK: optic for EclProfile fixtures, 50°, black;
- ECLPRL70BK: optic for EclProfile fixtures, 70°, black;
- ECLPRLZ1530BK: zoom 15°-30° PRL lens barrel for EclProfile fixtures, black housing;
- ECLPRLZ2550BK: zoom 25°-50° PRL lens barrel for Ecl Profile fixtures, black housing;
- ECLLZ1530: optics for ECLFC/HD ECLFS/ECLFW/ECLCTPLUS profiler, TPG incl., zoom 15°-30°;
- ECLLZ2550: optics for ECLFC/HD/ ECLFS/ECLFW/ECLCTPLUS profiler, TPG incl., zoom 25°-50°;
- ECLPRPOYO: pole operated yoke for ECLFS/ECLFW/ECLCTPLUS profiler;
- ECLPRTPG: gel filter frame for ECL Profile PRL lens barrel;
- ECLPRGH: gobo holder for ECL Profile fixtures;
- ECLPRIRIS: iris accessory for ECL Profile fixtures;
- ECLPRSEF1: soft edge filter and holder kit for ECL Profile fixtures;
- RSR0630A/B: steel security cable for hanging bodies, inox steel shackle, L=60 cm, silver/black;
- C6002: slim aluminium clamp, 200 kg loading, 48-51 mm tubes, M10 bolt;
- C6040: aluminum clamp for 28mm spigot, 200kg load, 48-51mm tubes;
- ECLLZLLKA: screw lock knob adapter, to adapt and mount ECLLZ lenses on ECLCTPLUS/ECLFS/ECLFW;
- UPBOX2P5: firmware uploader kit, USB IN, 5-pin XLR DMX OUT.

2 - TECHNICAL DRAWING



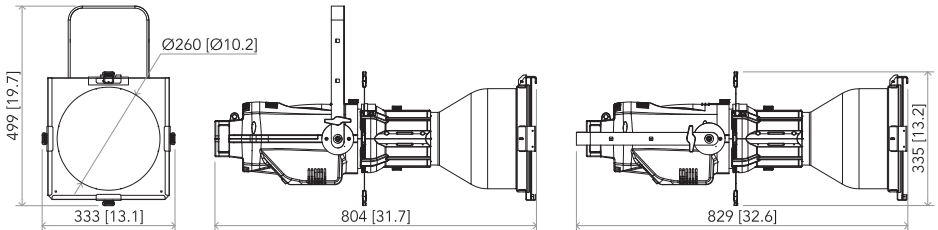
Weight: 7.3 kg - 16.09 lbs

ECLFW without optic



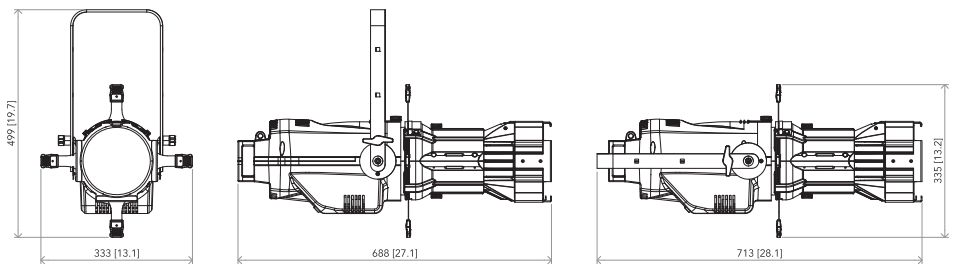
Weight: 10.2 kg - 22.48 lbs

ECLFW with ECLPRL05



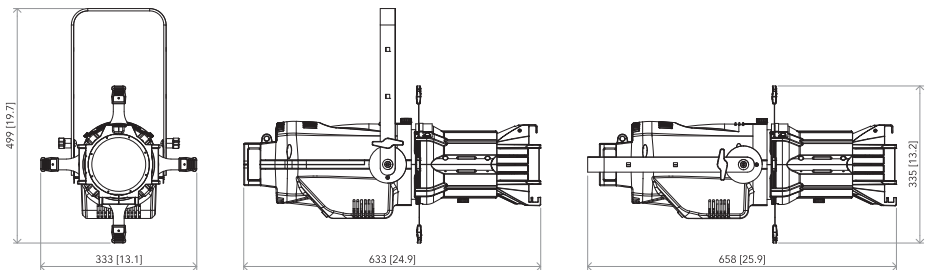
Weight: 9.2 kg - 20.28 lbs

ECLFW with ECLPRL10



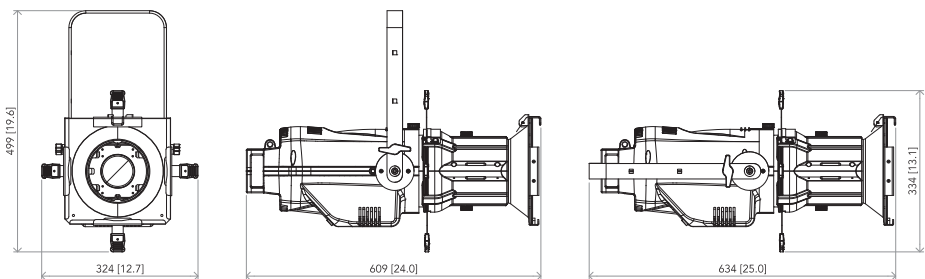
Weight: 10.6 kg - 23.37 lbs

ECLFW with ECLPRL14



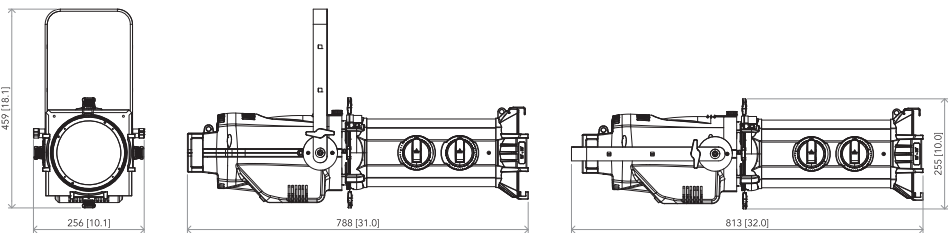
Weight:
 ECLPRL19: 9.6 kg - 21.16 lbs
 ECLPRL26 9.7 - 21.38 lbs
 ECLPRL36 9.4 - 20.72 lbs
 ECLPRL50: 9.1 - 20.06 lbs

ECLFW with ECLPRL19-26-36-50



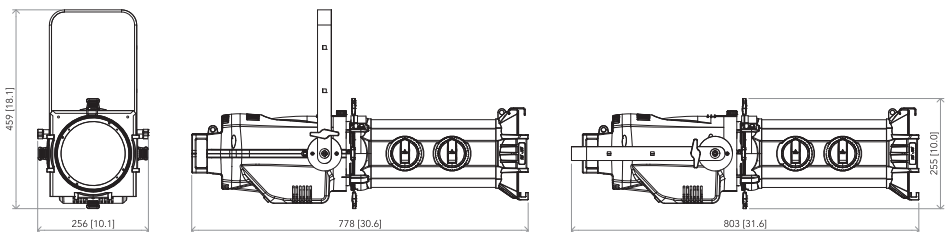
Weight: 9.1 kg - 21.06 lbs

ECLFW with ECLPRL70



Weight: 11.3 kg - 24.91 lbs

ECLFW with ECLPRLZ1530



Weight: 11.3 kg - 24.91 lbs

ECLFW with ECLPRLZ2550

Fig.1

3 - INSTALLATION

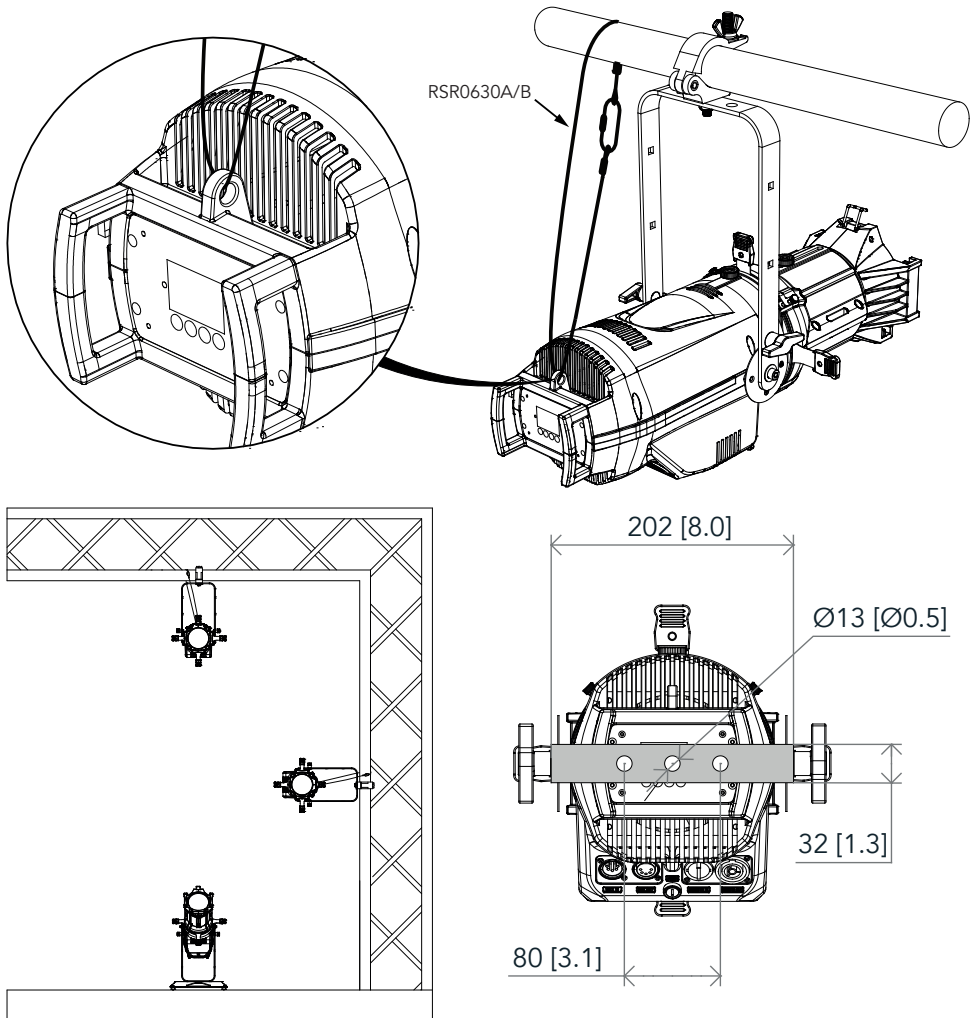
MOUNTING

Check that the supporting structure can safely bear the weight of all installed fixtures, clamps, cables, auxiliary equipment, etc. and complies with locally applicable regulations.

When suspending the fixture above ground level, secure it against failure of primary attachments by attaching a safety wire that is approved as a safety attachment for the weight of the fixture to an anchor point on the product main frame.

Do not use removable parts or weak anchors for secondary attachment.

Warning! When clamping the fixture to a truss or other structure at any angle, use clamps of half-coupler type. Do not use any type of clamp that does not completely encircle the structure when fastened.



Dimensions are in mm / in - Fig.2


4 - CONNECTION TO THE MAINS SUPPLY

WARNING: For protection from electric shock, the fixture must be earthed!

The product is equipped with auto-switching power supply that automatically adjusts to any 50-60Hz AC power source from 100-240 Volts.

If you need to install a power plug on the power cable to allow connection to power outlets, install a grounding-type (earthed) plug, following the plug manufacturer's instructions. If you have any doubts about proper installation, consult a qualified electrician.

The max power consumption is 250W.

Core (EU)	Core (US)	Connection	Plug terminal marking
Brown	Black	Live	L
Blue	White	Neutral	N
Yellow+green	Green	Earth	

5 - START UP

CONNECT AND DISCONNECT POWER FROM THE PRODUCT

To apply and disconnect power to the product:

- Check that the product is installed and secured as indicated in the Safety Informations, and that personal safety will not be put at risk when the fixture lights up.
- Connect the power connector into the Mains input socket (100-240 VAC-50/60 Hz).
- The product is then ready for its operations and can be controlled through the available input signals on board.
- To disconnect power from the product, disconnect the Mains from the socket.

6 - PRODUCT OVERVIEW

1. OPTIC (optional accessory);
2. KNOB for focus;
3. BLADES for FRAMING SYSTEM;
4. KNOB for bracket;
5. KNOB for locking the middle part;
6. BRACKET;
7. SAFETY EYE to attach safety cable;
8. HANDLE;
9. USER INTERFACE with display and buttons for access to the control panel functions.
- 10.DMX IN (5-p XLR): 1 = GND, 2 = sign-, 3 = sign+, 4 N/C, 5 N/C;
- 11.DMX OUT (5-p XLR): 1 = GND, 2 = sign-, 3 = sign+, 4 N/C, 5 N/C;
- 12.MAIN FUSE HOLDER: replace a burnt-out fuse by one of the same type only (TBC 5A);
- 13.POWER IN: for connection to the Mains 100-240V~/50-60Hz;
- 14.POWER OUT: power output for connection of multiple units in series.

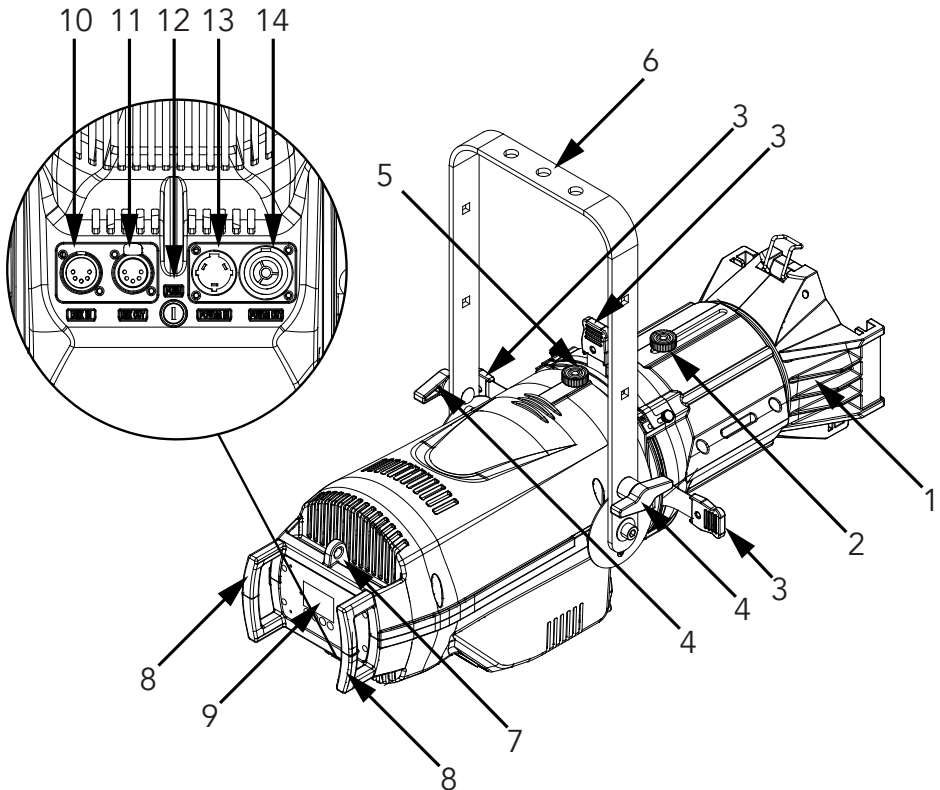


Fig.3

7 - DMX CONNECTION

CONNECTION OF THE CONTROL SIGNAL: DMX LINE

The product has XLR sockets for DMX input and output.
The default pin-out on both socket is as the following diagram:

**DMX - INPUT
XLR plug**



Pin1 : GND - Shield
Pin2 : - Signal
Pin3 : + Signal
Pin4 : N/C
Pin5 : N/C

**DMX - OUTPUT
XLR socket**

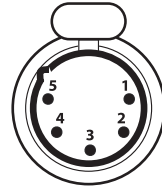


Fig.4

INSTRUCTIONS FOR A RELIABLE DMX CONNECTION

Use shielded twisted-pair cable designed for RS-485 devices: standard microphone cable cannot transmit control data reliably over long runs. 24 AWG cable is suitable for runs up to 300 meters (1000 ft). Heavier gauge cable and/or an amplifier is recommended for longer runs.
To split the data link into branches, use splitter-amplifiers in the connection line.
Do not overload the link. Up to 32 devices may be connected on a serial link.

CONNECTION DAISY CHAIN

Connect the DMX data output from the DMX source to the product DMX input (male connector XLR) socket.
Run the data link from the product XLR output (female connector XLR) socket to the DMX input of the next fixture.
Terminate the data link by connecting a 120 Ohm signal termination. If a splitter is used, terminate each branch of the link.
Install a DMX termination plug on the last fixture on the link.

CONNECTION OF THE DMX LINE

DMX connection employs standard XLR connectors. Use shielded pair-twisted cables with 120Ω impedance and low capacity.
The following diagram shows the connection mode:

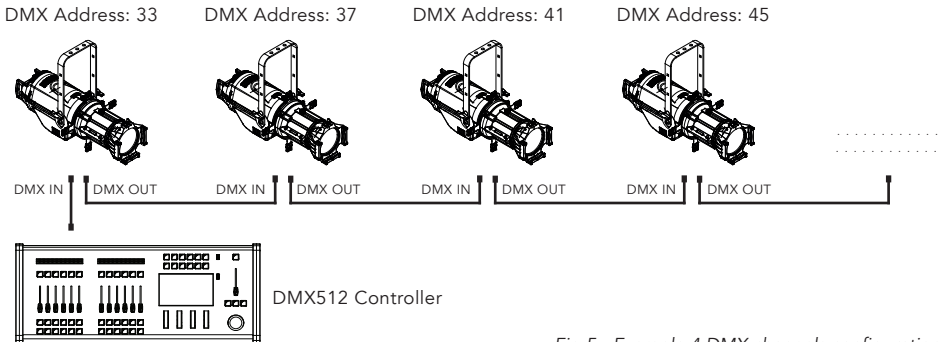


Fig.5 - Example 4 DMX channels configuration

CONSTRUCTION OF THE DMX TERMINATION

The termination is prepared by soldering a 120Ω 1/4 W resistor between pins 2 and 3 of the male XLR connector, as shown in figure.

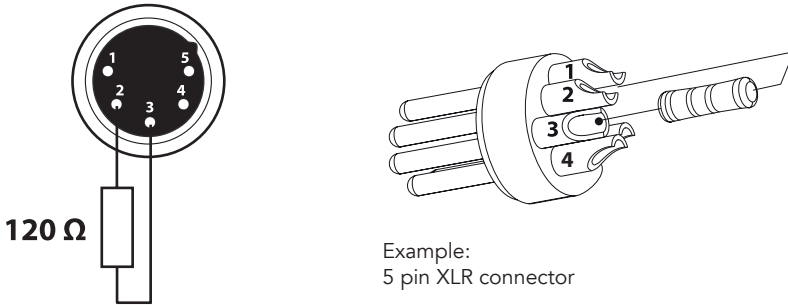


Fig.6

DMX ADDRESSING

In order to start controlling the product via DMX, the first step is to select a DMX address, also known as the start channel, this is the first channel used to receive instructions from a DMX controller. If you wish to control the product individually, it is necessary to assign a different starting address channel to each fixture.

The number of channels occupied from the product depends on the DMX mode selected, so always verify the DMX Mode in the MENU before start addressing.

If you assign two fixtures the same address, they will be executing the same behaviour. Selecting the same address to multiple fixtures can be useful for diagnostic purposes and symmetrical control.

DMX addressing is limited to make it impossible to set the DMX address so high that you are left without enough control channels for the product.

To set the fixture's DMX address:

1. Press MENU to open the main menu.
2. Reach the addressing menu, then select the DMX ADDRESS settings.
3. Select the address from 1 to 512 using the navigation arrows/buttons and confirm by pressing ENTER.
4. Press Menu to exit and return to the Home screen.

8 - CONTROL PANEL

The product has a display and buttons for access to the control panel functions.

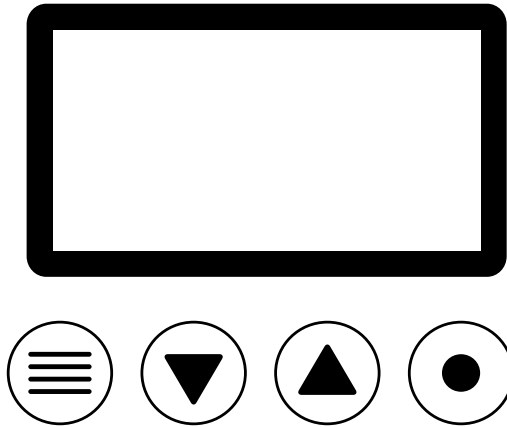


Fig.7

DISPLAY AND BUTTONS LAYOUT

- The product has a display and buttons for access to the control panel functions.



MENU: Used to access the menu tree or to return a previous menu window.



UP: Browse upwards through the menu list and increases the numeric value displayed.



DOWN: Browse downwards through the menu list and decreases the numeric value displayed.



ENTER: Used to confirm the current menu or confirm the current function value or option within a menu.

9 - MENU STRUCTURE

The following chart describes the MENU tree of the product, the terms shown in **BOLD** indicates the default settings.

MENU				
1	Connect	DMX Address	Value (001-512)	
		DMX Mode	UNO	
			Basic	
			Standard	
			Extended	
2	Setup	Backlight	On 10 s 20 s 30 s	Allows you to select the timing after that display will switch automatically off when unactive.
		Flip Display	On Off	Allows you to rotate the display by 180°.
		Disp. Lock	On Off	Allows you lock the buttons on the control panel by a password. Press following combinations (password) in order to access to the user menu : UP, DOWN, UP, DOWN, ENTER,
		Transfer Configuration	No DMX Add. DMX Add.	To transfer the same menu settings of one fixtures to all the other in the daisy chain, including or not the dmx address.
		Temperature Unit	°C °F	To choose the desired unit of temperature measurement.
3	Advanced	Dimmer Curve	Linear S-Curve Sqr Law Inv. Sqr Law	To choose the dimmer curve.
		Dimmer Speed	Auto Fast Medium Slow	To choose the dimmer speed.
		Led Frequency	600 Hz 1200 Hz 2000 Hz 4000 Hz 6000 Hz 25 KHz	Select PWM frequency.
		Fan Mode	Auto Silent Full Off	Select the product Fan mode.
		DMX Lost	Blackout Hold Stand Alone	To choose the behaviour of fixture in case of dmx signal lost.
4	Stand Alone	Master / Slave	Master Slave	Allow you to link and operating in sync multiple units without a DMX console. Choose a unit to perform as the Master. This unit must be the first unit in line; Set the successive units to be slave.
		Preset	Dimmer Dimmer Fine Dimmer Speed Strobe	To adjust the preset values for the unit.

		Mix 1	Switch Hold Time Fade Time Dimmer :	On/Off (On)	<i>It is used to create a chase composed of 16 scenes maximum. You put this chase into play by putting the switch on. For each scene you can set fade time and hold time.</i>
		...			
		Mix 16	Switch Hold Time Fade Time Dimmer :	On/Off (On)	
5	Information	Fixture H.			<i>To view information about the unit.</i>
		Current H.			
		Source H.			
		Temperature			
		Error Messages			
		RDM UID			
		Software Version			
6	Default	On Off			<i>To reset the unit to factory default settings.</i>

10 - RDM FUNCTIONS

The product can communicate using RDM (Remote Device Management) protocol over a DMX512 Networks.

RDM is a bi-directional communications protocol for use in DMX512 control systems, it is the open standard for DMX512 device configuration and status monitoring.

The RDM protocol allows data packets to be inserted into a DMX512 data stream without affecting existing non-RDM equipment. It allows a console or dedicated RDM controller to send commands to and receive messages from specific fixtures.

The PIDs in the following tables are supported in the product.

Category	Parameter	PID	GET	SET
Product Information	DEVICE_INFO	0x0060	x	
	PRODUCT_DETAIL_ID_LIST	0x0070	x	
	DEVICE_MODEL_DESCRIPTION	0x0080	x	
	MANUFACTURER_LABEL	0x0081	x	
	DEVICE_LABEL	0x0082	x	x
	FACTORY_DEFAULTS	0x0090	x	x
	SOFTWARE_VERSION_LABEL	0x00C0	x	
	BOOT_SOFTWARE_VERSION_ID	0x00C1	x	
DMX512 Setup	BOOT_SOFTWARE_VERSION_LABEL	0x00C2	x	
	DMX_PERSONALITY	0x00E0	x	x
	DMX_PERSONALITY_DESCRIPTION	0x00E1	x	
	DMX_START_ADDRESS	0x00F0	x	x
	SLOT_INFO	0x0120	x	
	SLOT_DESCRIPTION	0x0121	x	
	DEFAULT_SLOT_VALUE	0x0122	x	
	DMX_BLOCK_ADDRESS	0x0140	x	x
Dimmer Settings	DMX_FAIL_MODE	0x0141	x	x
	DMX_STARTUP_MODE	0x0142	x	x
	DIMMER_INFO	0x0340	x	
	MINIMUM_LEVEL	0x0341	x	x
	MAXIMUM_LEVEL	0x0342	x	x
	CURVE	0x0343	x	x
	CURVE_DESCRIPTION	0x0344	x	x
	OUTPUT_RESPONSE_TIME	0x0345	x	x
Sensors	OUTPUT_RESPONSE_TIME_DESCRIPTION	0x0346	x	
	MODULATION_FREQUENCY	0x0347	x	x
	MODULATION_FREQUENCY_DESCRIPTION	0x0348	x	
	SENSOR_DEFINITION	0x0200	x	
Power/Lamp Settings	SENSOR_VALUE	0x0201	x	x
	RECORD_SENSORS	0x0202		x
	BURN_IN	0x0440	x	x
	DEVICE_HOURS	0x0400	x	x
Power/Lamp Settings	LAMP_HOURS	0x0401	x	x
	LAMP_STRIKES	0x0402	x	x

	LAMP_STATE	0x0403	x	x
	LAMP_ON_MODE	0x0404	x	x
	DEVICE_POWER_CYCLES	0x0405	x	x
Display Settings	DISPLAY_INVERT	0x0500	x	x
	DISPLAY_LEVEL	0x0501	x	x
Configuration	LOCK_PIN	0x0640	x	x
	LOCK_STATE	0x0641	x	x
	LOCK_STATE_DESCRIPTION	0x0642	x	
Control	IDENTIFY_DEVICE	0x1000	x	x
	RESET_DEVICE	0x1001		x
	POWER_STATE	0x1010	x	x
	PERFORM_SELFTEST	0x1020	x	x
	SELF_TEST_DESCRIPTION	0x1021	x	
	CAPTURE_PRESET	0x1030	x	x
	PRESET_PLAYBACK	0x1031	x	x
	IDENTIFY_MODE	0x1040	x	x
	PRESET_INFO	0x1041	x	
	PRESET_STATUS	0x1042	x	x
	POWER_ON_SELF_TEST	0x1044	x	x
Custom PIDs	FAN SETTINGS 0 = auto 1 = silent 2 = off 3 = full	0x8000	x	x

11 - SHORTCUTS

Keys	Mode	Description
ENTER + MENU after power on	Flip Display	Directly flip display without enter inside menu.
UP + ENTER then power on	Bootloader	Force firmware upgrade.

12 - ERROR MESSAGES

Error showed on screen	Possible causes
[LED TEMPERATURE ERROR]	This error message indicates that an overheating on the LEDs has occurred and the lamp has been switched OFF by the product protection system.
[LED TEMPERATURE SENSOR ERROR]	LED sensor damaged (open or in short circuit).

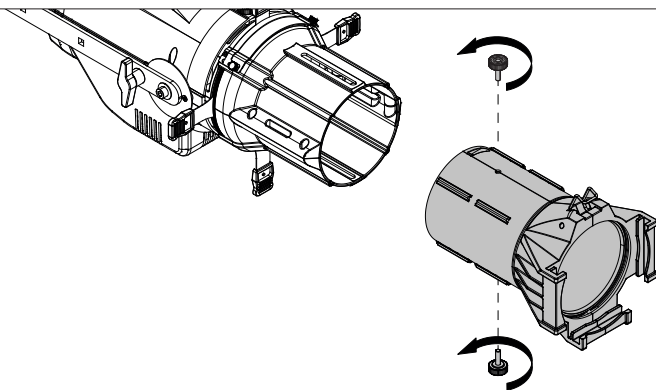
13 - DMX CHARTS

Channel	Uno	Basic	Standard	Extended
1	DIMMER COARSE	DIMMER COARSE	DIMMER COARSE	DIMMER COARSE
2		DIMMER FINE	DIMMER FINE	DIMMER FINE
3			STROBE	STROBE
4				CONTROL

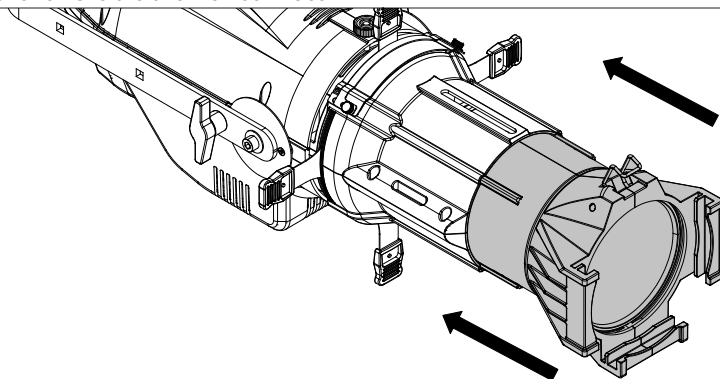
Uno	Basic	Standard	Extended	Function	DMX Value	Default
1	1	1	1	DIMMER COARSE 0÷100%	000 ÷ 255	000
	2	2	2	DIMMER FINE 0÷100%	000 ÷ 255	000
		3	3	STROBE Close Strobe from slow to fast Open Pulse In from slow to fast Open Pulse Out from slow to fast Open Random from slow to fast Open	0 ÷ 1 2 ÷ 62 63 ÷ 64 65 ÷ 125 126 ÷ 127 128 ÷ 188 189 ÷ 190 191 ÷ 251 252 ÷ 255	255
			4	CONTROL No Function/Safe DISPLAY ON DISPLAY 10S DISPLAY 20S DISPLAY 30S FLIP DISPLAY ON FLIP DISPLAY OFF KEY LOCK ON KEY LOCK OFF DIMMER CURVE LINEAR DIMMER CURVE S-CURVE DIMMER CURVE SQUARE LAW DIMMER CURVE INVERSE SQUARE LAW DIMMER SPEED AUTO DIMMER SPEED FAST DIMMER SPEED MEDIUM DIMMER SPEED SLOW LED FREQUENCY 600HZ LED FREQUENCY 1200HZ LED FREQUENCY 2000HZ LED FREQUENCY 4000HZ LED FREQUENCY 6000HZ LED FREQUENCY 25KHZ FAN MODE AUTO FAN MODE SILENT FAN MODE HIGH FAN MODE OFF NO SIGNAL HOLD NO SIGNAL BLACKOUT NO SIGNAL STAND ALONE Reserved FACTORY DEFAULT OF CONTROL FUNCTIONS	0 ÷ 1 2 ÷ 3 4 ÷ 5 6 ÷ 7 8 ÷ 9 10 ÷ 11 12 ÷ 13 14 ÷ 15 16 ÷ 17 18 ÷ 19 20 ÷ 21 22 ÷ 23 24 ÷ 25 26 ÷ 27 28 ÷ 29 30 ÷ 31 32 ÷ 33 34 ÷ 35 36 ÷ 37 38 ÷ 39 40 ÷ 41 42 ÷ 43 44 ÷ 45 46 ÷ 47 48 ÷ 49 50 ÷ 51 52 ÷ 53 54 ÷ 55 56 ÷ 57 58 ÷ 59 60 ÷ 253 254 ÷ 255	000

14 - ACCESSORIES INSTALLATION

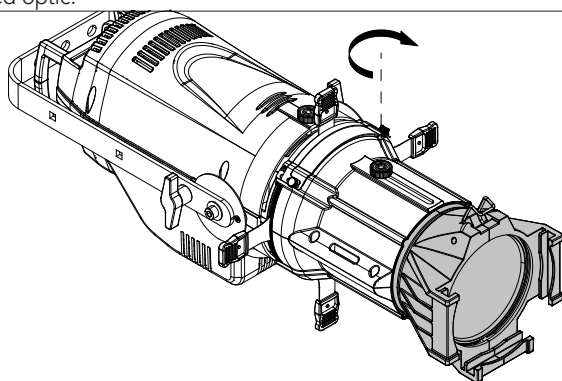
OPTIC (CODE ECLPRL - OPTIONAL)



1. Loosen and remove the two marked knobs.



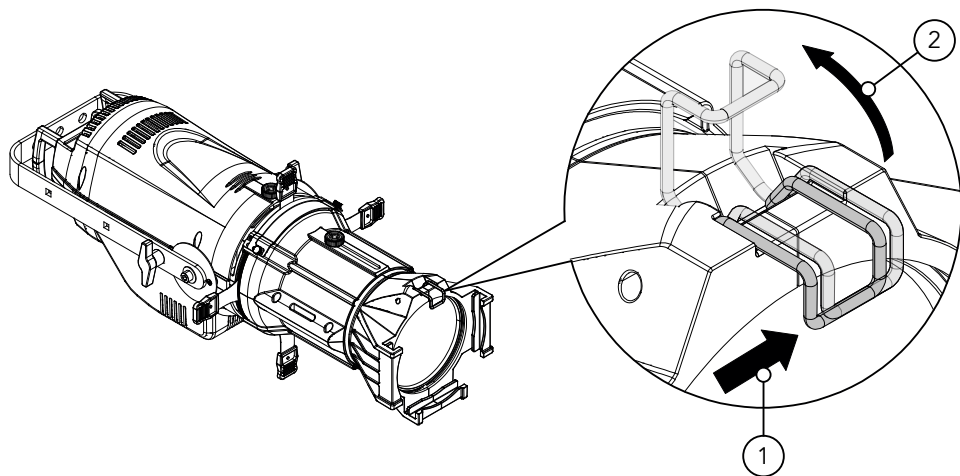
2. Mount the desired optic.



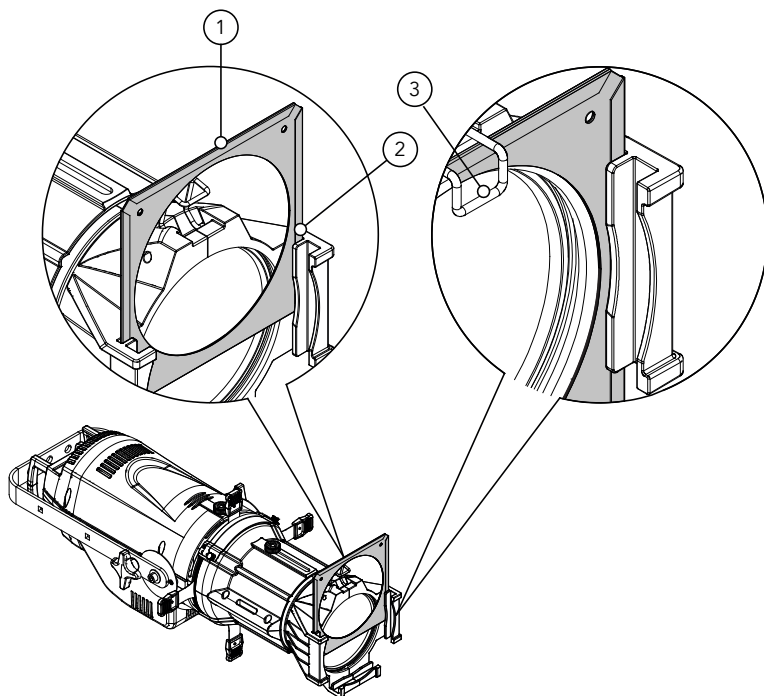
3. Insert and tighten the knobs.

Fig.8

GEL FILTER FRAME (CODE ECLPRTPG - OPTIONAL)



1. Push the clip, located at the top of the optics body, outwards (1) and lift it (2).



2. Then insert the filter (1) into the marked track (2) and close the clip (3), always applying an outward push.

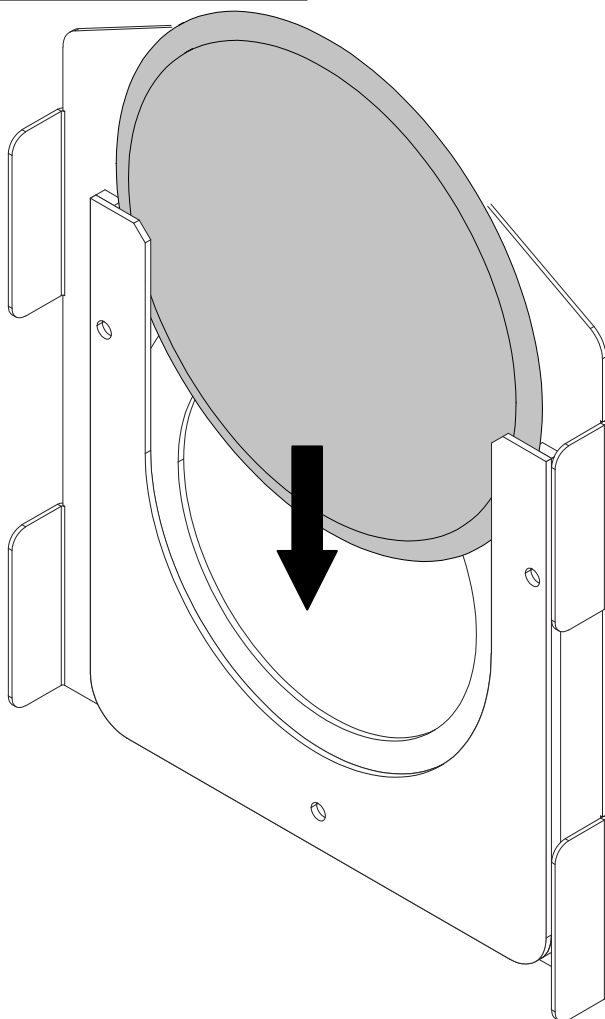
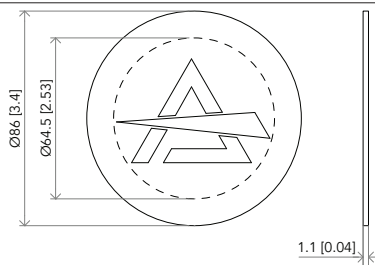
NOTE: To remove the accessory, reverse the procedure.

Fig.9

GOBO HOLDER (CODE ECLPRGH - OPTIONAL)

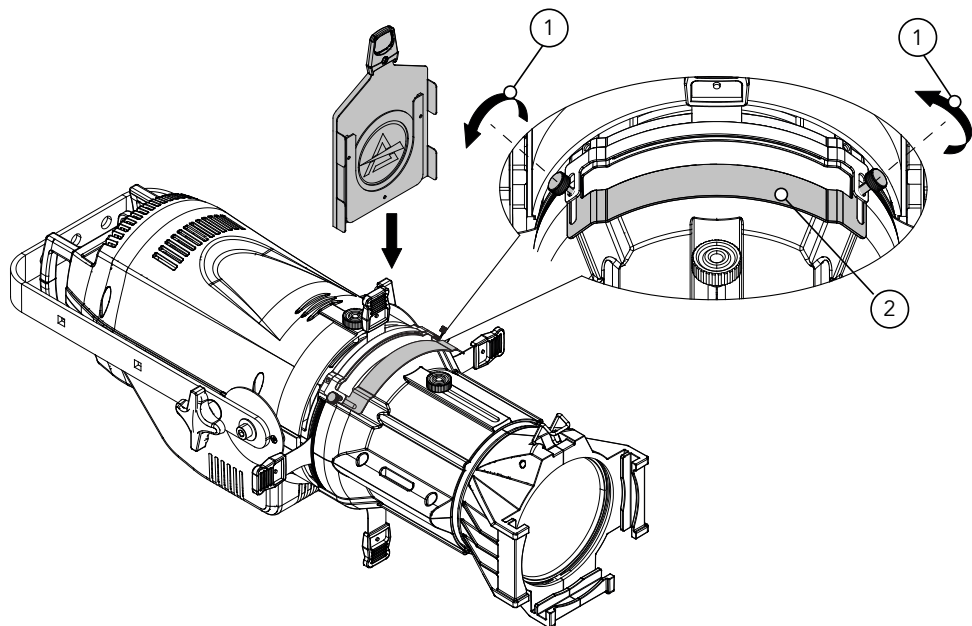
Gobo dimensions:

- Type B.
- \varnothing external= 86 mm.
- \varnothing of image= 64.5 mm.
- Thickness= 1.1 mm.

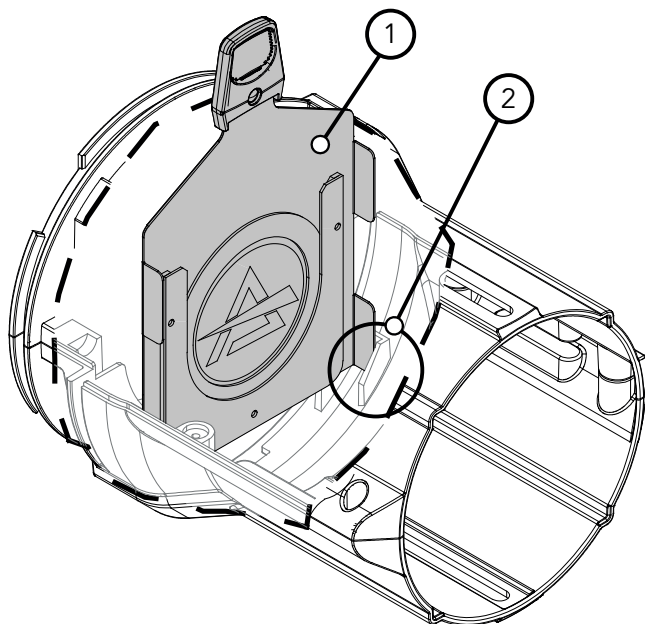


Put in place the Gobo.

Fig.10



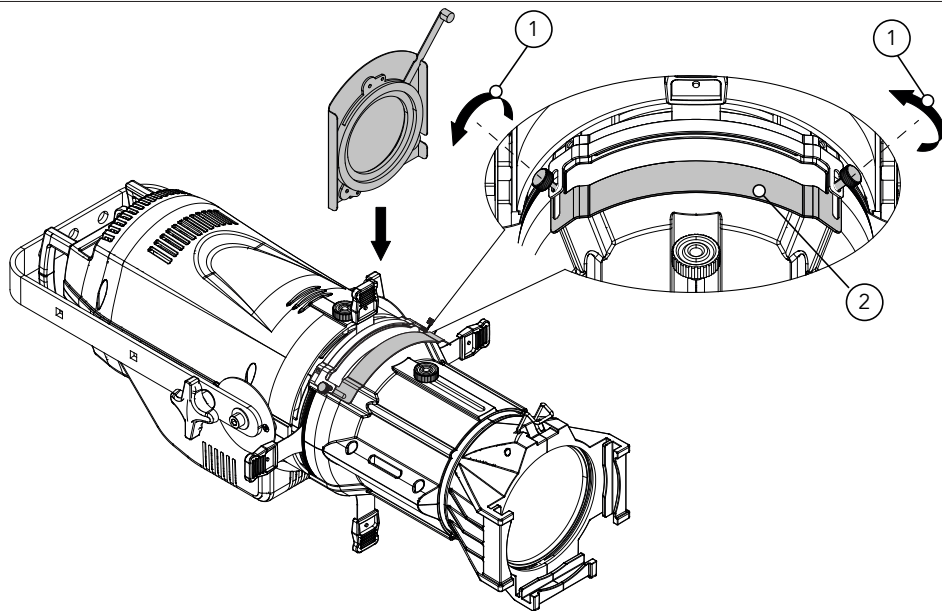
1. Loosen the marked screws (1). Then open the slot of the middle part (2).



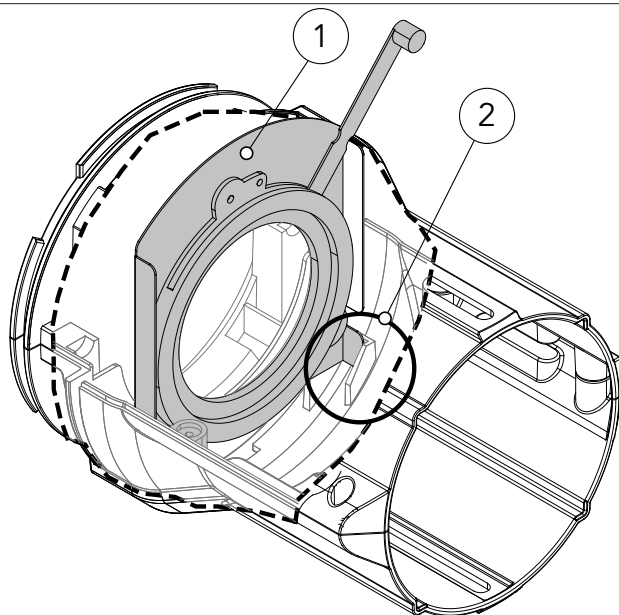
2. Insert the gobo holder (1) into the slot. The flaps will go into the appropriate size (2).
NOTE: To remove the accessory, reverse the procedure.

Fig.11

STEEL IRIS DIAPHRAM (CODE ECLPRIRIS - OPTIONAL)

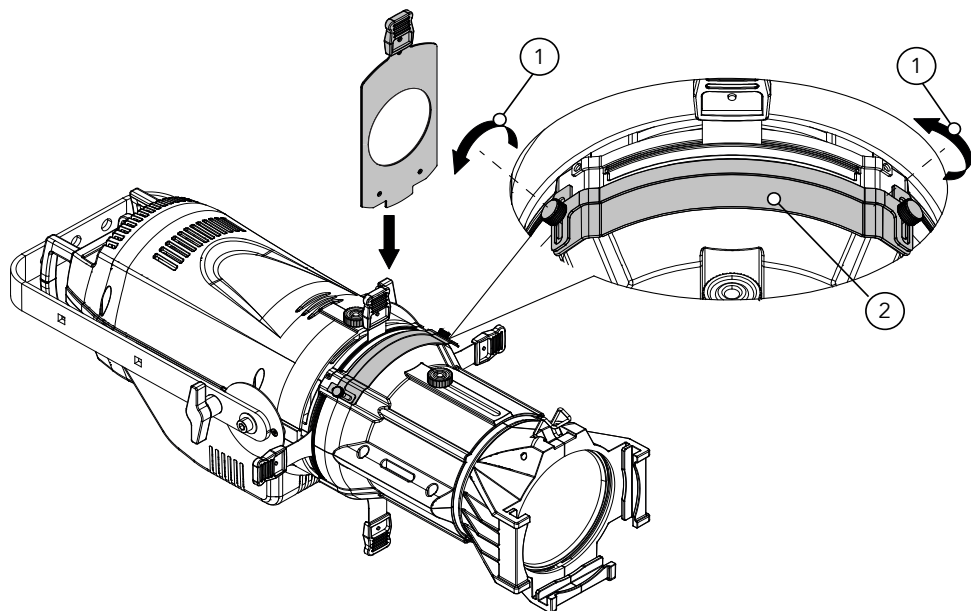


1. Loosen the marked screws (1). Then open the slot of the middle part (2).

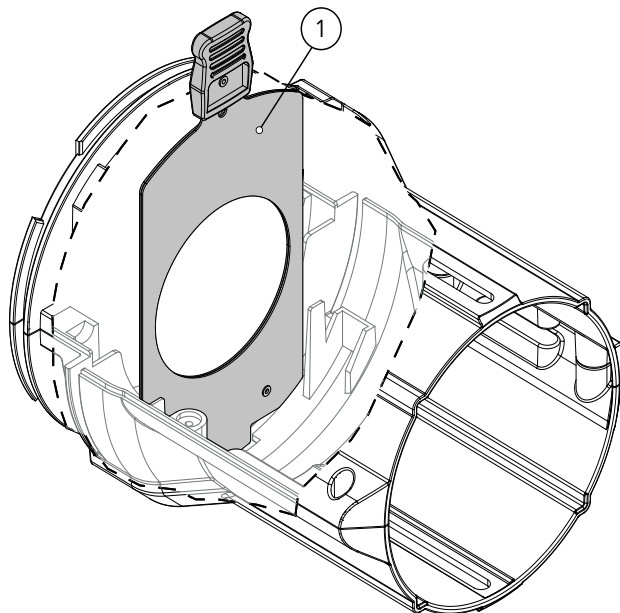


2. Insert the steel iris diaphragm (1) into the slot. The flaps will go into the appropriate size (2).
NOTE: To remove the accessory, reverse the procedure.

Fig.12

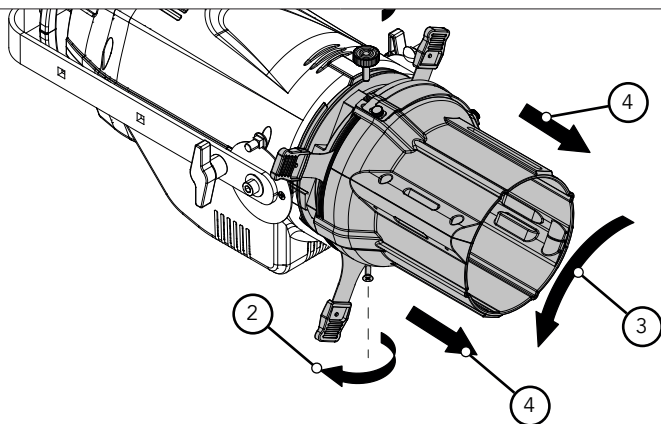


1. Loosen the marked screws (1). Then open the slot of the middle part (2).
-

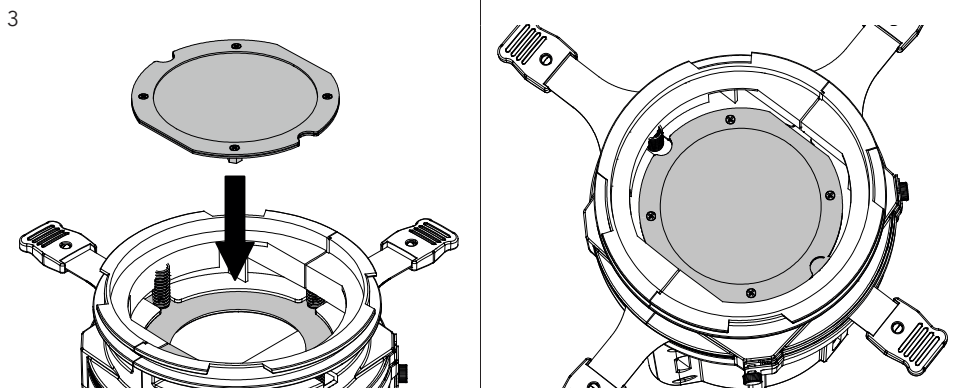
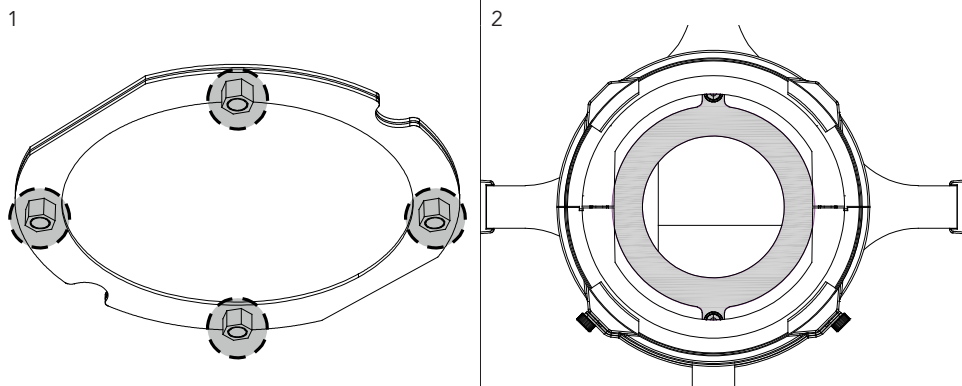


2. Insert the Soft edge filter into the slot (1).
NOTE: To remove the accessory, reverse the procedure.

Fig.13



1. Loosen the marked knob (1) and screw (2). Then rotate (3) the middle part and remove it (4).

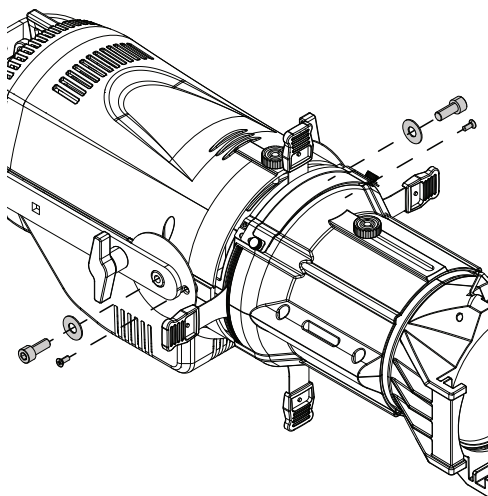


2. Insert the soft focus diffusion kit by placing the magnets (1) on the back of the framing system (2) of the middle part (3).

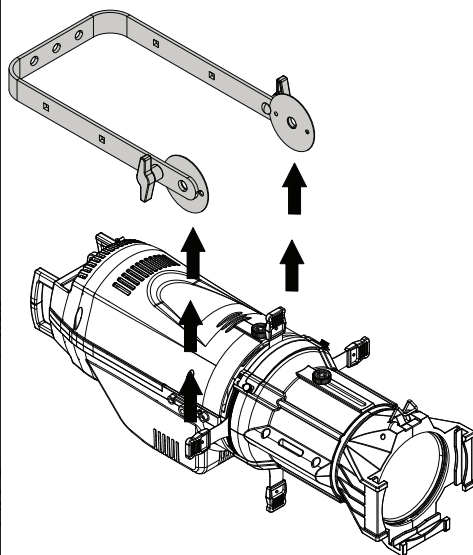
NOTE: To remove the accessory, reverse the procedure.

Fig.14

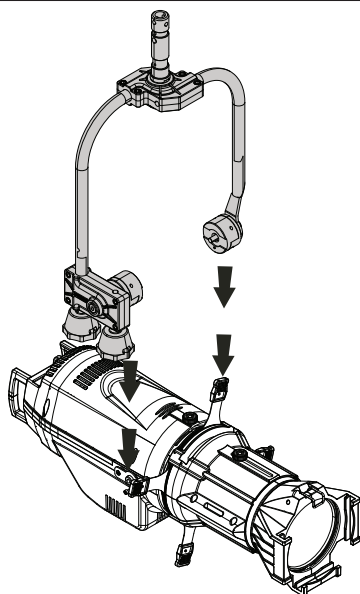
THE POLE OPERATED YOKE (CODE ECLPRPOYO - OPTIONAL)



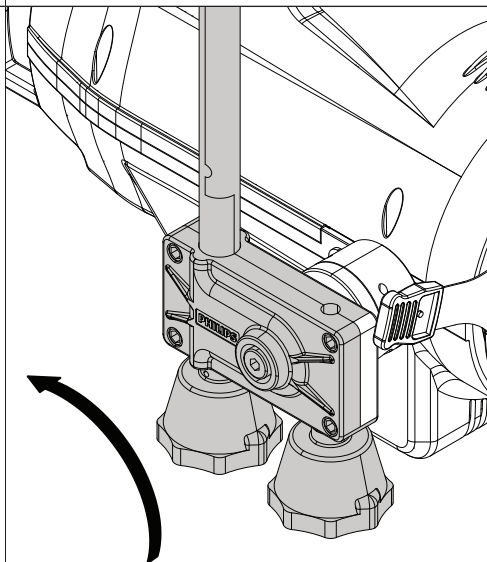
1. Loosen and remove the marked screws.



2. Remove the bracket.



3. Mount the Pole Operated Yoke bracket.



4. Tighten the screws.

NOTE: To remove the accessory, reverse the procedure.

Fig.15

15 - MAINTENANCE

MAINTENANCE AND CLEANING THE PRODUCT

WARNING: Disconnect from the mains before starting any maintenance work

It is recommended to clean the front at regular intervals, from impurities caused by dust, smoke, or other particles to ensure that the light is radiated at maximum brightness.

- For cleaning, disconnect the main plug from the socket. Use a soft, clean cloth moistened with a mild detergent. Then carefully wipe the part dry. For cleaning other housing parts use only a soft, clean cloth. Never use a liquid, it might penetrate the unit and cause damage to it.
- The user must clean the product periodically to maintain optimum performance and cooling. The user may also upload firmware (product software) to the fixture via the DMX signal input port or USB port using firmware and instructions from PROLIGHTS.
- The frequency of such maintenance operations is to be performed according to various factors, such as the amount of the use and the condition of the installation environment (air humidity, presence of dust, salinity, etc.). It is recommended that the product is subject to annual service by a qualified technician for special maintenance involving at least the following procedures:
 - General cleaning of internal parts.
 - For all the parts subject to friction, using lubricants specifically supplied by PROLIGHTS.
 - General visual check of the internal components, cabling, mechanical parts, etc.
 - Electrical, photometric and functional checks; eventual repairs.
 - Cleaning the lenses. Only use neutral soap and water to clean the lenses, then dry it carefully with a soft, non-abrasive cloth.

WARNING: the use of alcohol or any other detergent could damage the lenses.

- All other service operations on the product must be carried out by PROLIGHTS, its approved service agents or trained and qualified personnel.
- It is PROLIGHTS policy to apply the strictest possible calibration procedures and use the best quality materials available to ensure optimum performance and the longest possible component lifetimes. However, optical components are subject to wear and tear over the life of the product, resulting in gradual changes in colours over many thousands of hours of use. The extent of wear and tear depends heavily on operating conditions and environment, so it is impossible to specify precisely whether and to what extent performance will be affected. However, you may eventually need to replace optical components if their characteristics are affected by wear and tear after an extended period of use and if you require fixtures to perform within very precise optical and colour parameters.
- Do not apply filters, lenses or other materials on lenses or other optical components. Use only accessories approved by PROLIGHTS.

REPLACING THE FUSE

WARNING: Before replacing the fuse, unplug the product from the mains.

- Remove the old fuse from the housing with a suitable screwdriver (anticlockwise) and replace it with one of the same type and of the same classification (TBC 5A).


VISUAL CHECK OF PRODUCT HOUSING

- The parts of the product cover/housing should be checked for eventual damages and breaking start at least every two months. In addition, especially the parts of the front lens holder have to be checked mechanically (by means of movement by the part) if it is firmly fastened to the fixture. If hint of a crack is found on some plastic part, do not use the product until the damaged part will be replaced.
- Cracks or another damages of the cover/housing parts can be caused by the product transportation or manipulation and also ageing process may influence materials.
- This checking is necessary for both fixed installations and preparing product for renting. Any free moving parts inside of the product, cracked cover/housing or any part of front lens not sitting properly in place need to be immediately replaced.

TROUBLESHOOTING

Problems	Possible causes	Checks and remedies
Product doesn't power ON	<ul style="list-style-type: none"> No power to the product. 	<ul style="list-style-type: none"> Check that power is switched ON and cables are plugged in.
	<ul style="list-style-type: none"> Fuse blown or internal fault. 	<ul style="list-style-type: none"> Check if the Fuse is intact and eventually replace it if necessary. Contact the PROLIGHTS Service or authorized service partner. Do not remove parts and/or covers, or carry out any repairs or service that are not described in this Safety and User Manual unless you have both authorization from PROLIGHTS and the service documentation.
Product reset correctly but does not respond correctly to the controller.	<ul style="list-style-type: none"> Bad signal connection. 	<ul style="list-style-type: none"> Inspect connections and cables. Fix eventual bad connections. Repair or replace damaged cables.
	<ul style="list-style-type: none"> Signal connection not terminated. 	<ul style="list-style-type: none"> Insert DMX termination plug in signal output socket of the last product on the signal line.
	<ul style="list-style-type: none"> Incorrect addressing of the product. 	<ul style="list-style-type: none"> Check the product address and control settings.
	<ul style="list-style-type: none"> One of the product is defective and is corrupting the signal transmission on the signal line. 	<ul style="list-style-type: none"> Unplug the XLR in and out connectors and connect them directly together to bypass one product at a time until normal operation is regained. Once found the error, have that fixture serviced by a qualified technician.
Timeout error after fixture reset.	<ul style="list-style-type: none"> One or more hardware components requires mechanical adjustments. 	<ul style="list-style-type: none"> Check product stored error messages for more information. Contact PROLIGHTS Service or an authorized service partner.
Mechanical effect loses position	<ul style="list-style-type: none"> Mechanical hardware require cleaning, adjustment or lubrication. 	<ul style="list-style-type: none"> Check product stored error messages for more information. Contact PROLIGHTS Service or an authorized service partner.
Light output turn OFF Intermittently	<ul style="list-style-type: none"> Fixture is too hot. 	<ul style="list-style-type: none"> Check product stored error messages. Allow product to cool. Clean the product and airflow filters. Reduce ambient temperature.
	<ul style="list-style-type: none"> Hardware failure (temperature sensor, fans, Light source...). 	<ul style="list-style-type: none"> Check product stored error messages for more information. Contact PROLIGHTS Service or an authorized service partner.
General low light intensity	<ul style="list-style-type: none"> Dirty lens assembly. 	<ul style="list-style-type: none"> Clean the fixture regularly.
	<ul style="list-style-type: none"> Dirty or damaged filters. 	<ul style="list-style-type: none"> Install lens assembly properly.

Contact an authorized service center in case of technical problems or not reported in the table can not be resolved by the procedure given in the table.



PROLIGHTS is a trademark of
MUSIC & LIGHTS S.r.l.
musiclights.it

Via A.Olivetti snc
04026 - Minturno (LT) ITALY
Tel: +39 0771 72190

prolights.it
support@prolights.it